



## **Surface Mount Chip LED Packing**

### **0603 SMD LED**

Spec No.:

Created Date: 2015/08/17

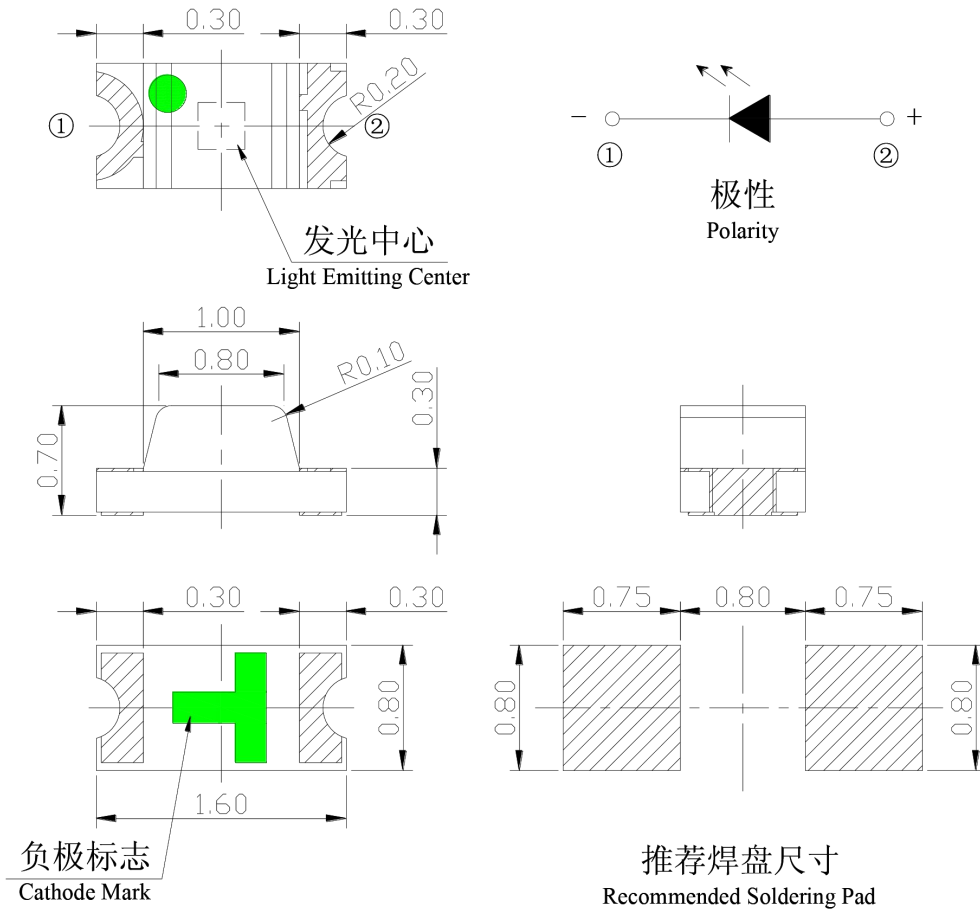
EHAOAN Electronics Co., Ltd.

Shiqiaodong Ring Road Port Xincheng Building, Panyu District, Guangzhou

Tel:020-39175575 Email: led@ehaoan.com

<http://www.ehaoan.com>

Package Dimensions/尺寸參數



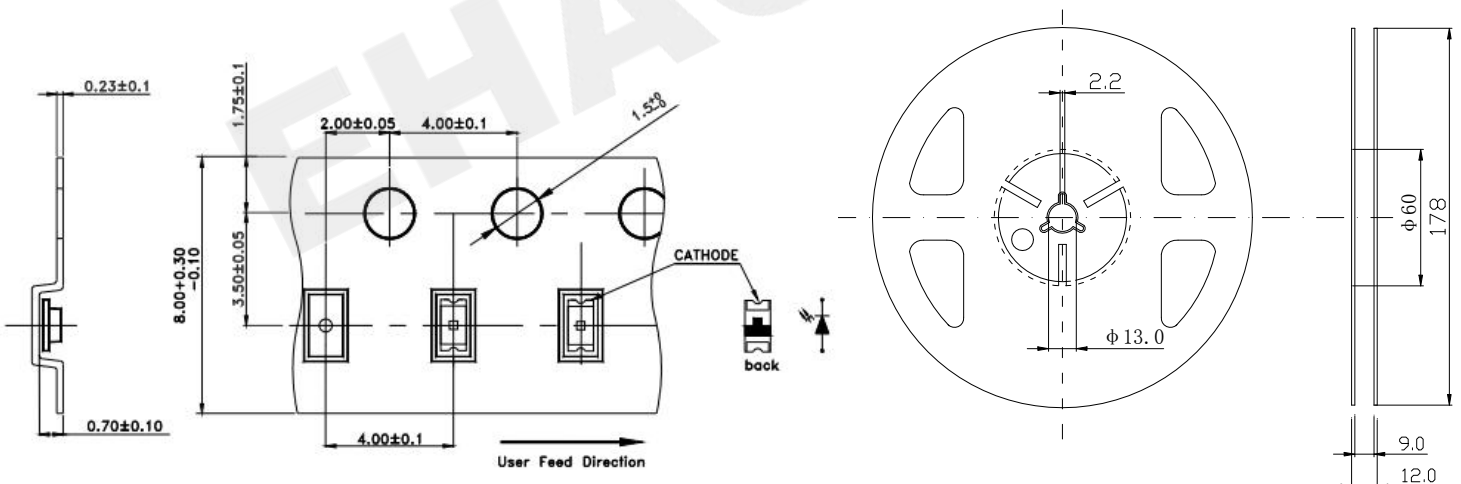
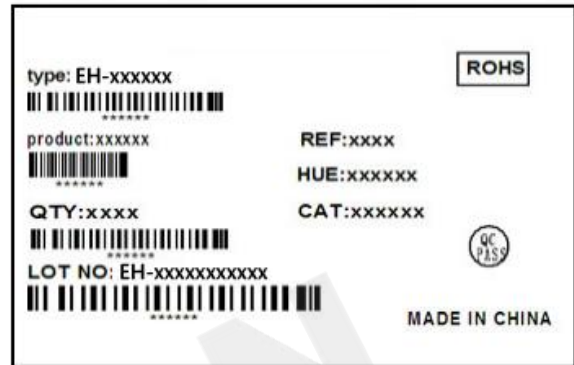
敷铜区域:	
Cuprum Area:	
阻焊丝印区域:	
Solder Resist:	
*无特别规定时, 公差为±0.1mm, 单位为mm*	
* The Tolerances Unless Mentioned is ±0.1mm, Unit= mm*	

Note: Tolerances unless mentioned ±0.1mm. Unit = mm

註：除非另有說明，否則公差為±0.1 mm 單位=mm

Moisture Resistant Packing Materials/標籤標識

- CAT: Luminous Intensity Rank (unit : mcd)
- HUE: Dominant Wavelength Rank (unit : nm)
- REF: Forward Voltage Rank (unit : V)
- Rank Tolerance:
  - a. Luminous Intensity:  $\pm 15\%$
  - b. HUE:  $\pm 1\text{nm}$
  - c. Forward Voltage:  $\pm 0.1\text{V}$



Note: The tolerances unless mentioned is  $\pm 0.15\text{mm}$ , Unit = mm  
 註：除非另有說明，否則公差為 $\pm 0.15\text{mm}$  單位=mm

